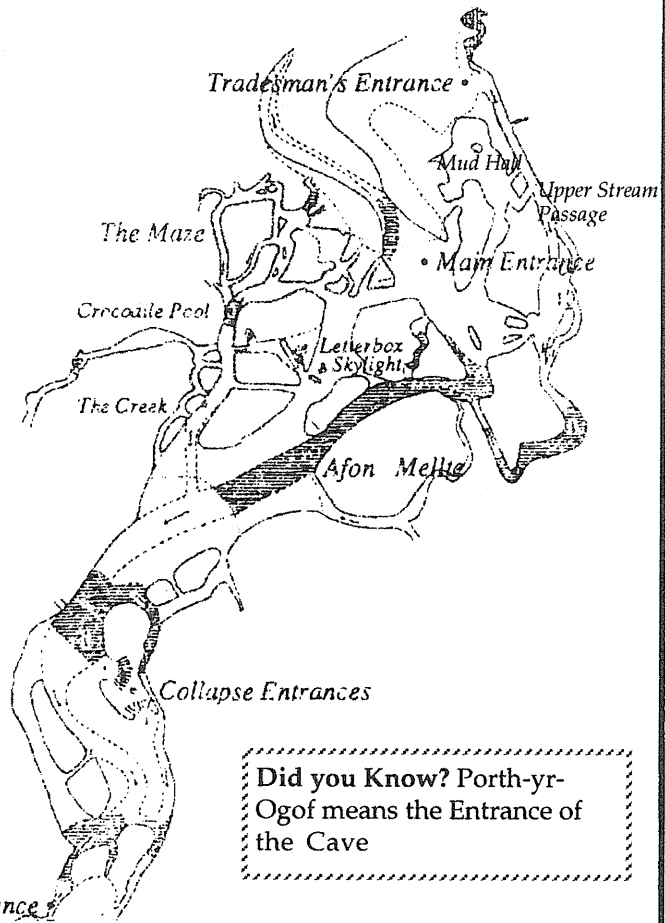


Look at the map of the cave you explored.
Can you trace the route you took through
the cave?

Did you Know? The longest cave network in the world, so far discovered, is Mammoth Cave in Kentucky USA. It has 530 km of explorable passageways. That is the same distance as Haringey to Pendarrenand then back again!!!

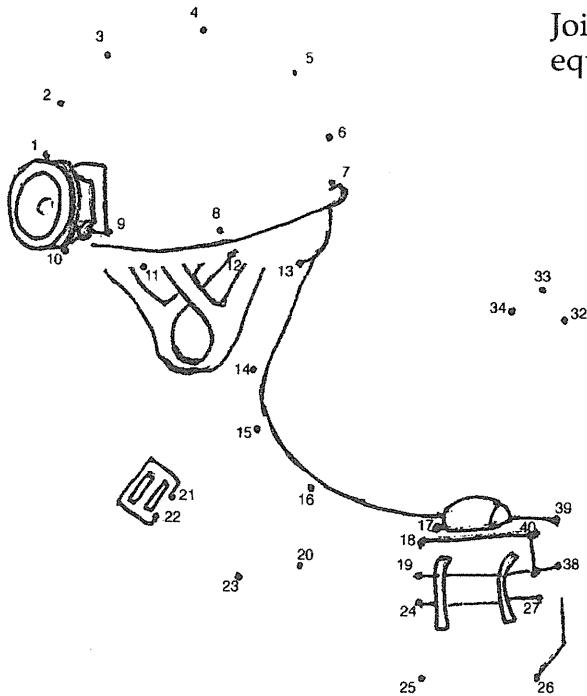
Did you Know? The longest stalactite is in a cave in Malagar, Spain and is 60m long. The tallest stalagmite is 30m tall and is in a cave at Lozere in France.

Did you Know? The deepest cave is in France and descends over 1500m down into the earth.



Did you Know? Porth-yr-Ogof means the Entrance of the Cave

Join the dots and name the four pieces of equipment needed for caving



- 1.....
- 2.....
- 3.....
- 4.....

Did you Know? The longest cave in Wales is only a few miles away from Pendarren. It is called Ogof Draenen and was only discovered a few years ago. Over 75 km of passageway have been discovered so far.

Imagine you have become a Pendarren Leader with a group of primary school students and you are about to explore a cave. How would you get the group ready, what would you do?
